

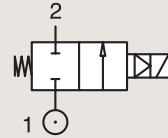
2/2

VALVES FOR DRY OR LUBRICATED AIR, NEUTRAL GASES AND LIQUIDS PILOT OPERATED

BRASS

PIPE MOUNTING

NORMALLY CLOSED



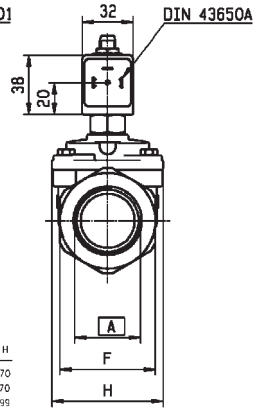
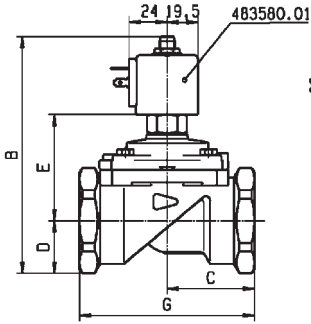
Port size (BSP)	Orifice Ø mm	Flow factors			Operating Pressure Differential Max(MOPD)			Fluid Temp.		Seat Seal	Valve Ref.	Housing Ref.	Coil Ref.	IS	Power		Coil Group	Dwg. No.
		Kv l/min	KV m ² /h	Qn m ³ /h	Min bar	AC bar	DC bar	Min °C	Max °C						AC W	DC W		
1 1/2"	40	425	25.5	31500	0.5	-	10	-10	55	NBR	321G3990	2995	48358001	*	-	0.5-3	7.0/8.0	8113
	40	425	25.5	31500	0.5	-	10	-10	75	NBR	321G3990	-	495910	*	-	0.3-1.2	7.0/8.0	8113
	40	420	25.2	31500	0.3	16	7	-10	100	NBR	E321G39 ₁	2995	481865	8	9	2.0	3442	
	40	420	25.2	31500	0.3	16	8	-10	100	NBR	E321G39 ₁	4270	481000	8	8	2.0	3442	
	40	420	25.2	31500	0.3	16	16	-10	100	NBR	E321G39 ₁	4270	486265	14	14	2.0	3442	
	40	420	25.2	31500	0.3	16	7	-10	100	FKM	E321G3906	2995	481865	8	9	2.0	3442	
	40	420	25.2	31500	0.3	16	8	-10	120	FKM	E321G3906	4270	481000	8	8	2.0	3442	
	40	420	25.2	31500	0.3	16	16	-10	100	FKM	E321G3906	4270	486265	14	14	2.0	3442	
2"	40	540	32.4	38100	0.5	-	10	-10	55	FKM	321G4090	2995	48358001	*	-	0.5-3	7.0/8.0	8113
	40	540	32.4	38100	0.5	-	10	-10	75	FKM	321G4090	-	495910	*	-	0.3-1.2	7.0/8.0	8113
	40	540	32.4	40000	0.3	16	7	-10	100	NBR	E321G40 ₁	2995	481865	8	9	2.0	3442	
	40	540	32.4	40000	0.3	16	8	-10	100	NBR	E321G40 ₁	4270	481000	8	8	2.0	3442	
	40	540	32.4	40000	0.3	16	16	-10	100	NBR	E321G40 ₁	4270	486265	14	14	2.0	3442	
	40	540	32.4	40000	0.3	16	7	-10	100	FKM	E321G4006	2995	481865	8	9	2.0	3442	
	40	540	32.4	40000	0.3	16	8	-10	120	FKM	E321G4006	4270	481000	8	8	2.0	3442	
	40	540	32.4	40000	0.3	16	16	-10	120	FKM	E321G4006	4270	486265	14	14	2.0	3442	

Notes:

1. Pilot seat disc in synthetic Ruby

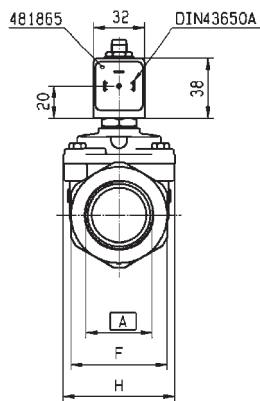
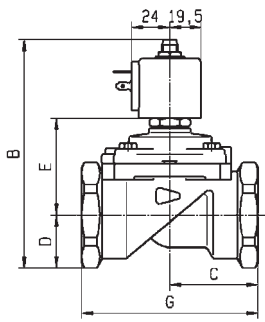


For this page	Port size	Orifice (mm)	Kv (l/min)	MOPD (bar)	Fluid Temp (°C)
From	1 1/2"	40	420	7	-10
To	2"	40	540	16	120



RACCORD(A)	B	C	D	E	F	G	H
U321G3690	BSP 3/4"	135	50	23	54	41	100 70
321G3750	BSP 1"	135	50	23	54	41	100 70
321/U321G3690	BSP 1 1/2"	158	75	33	67	60	140 99
321/U321G4090	BSP 2"	172.5	80	41.5	73	75	150 99

Drawing 8113



RACCORD(A)	B	C	D	E	F	G	H
321/322/E321G36	BSP 3/4"	121	50	23	54	41	100 70
321/322/E321G37	BSP 1"	121	50	23	54	41	100 70
321/322/E321G38	BSP 1 1/4"	137.5	55	33	60.5	60	110 70
321/322/E321G39	BSP 1 1/2"	144	75	33	67	60	140 99
321G3965/G3967	1/4" 1.7/8"	144	75	33	67	60	140 99
U321/U322G40	BSP 2"	156.5	80	41.5	73	75	150 99

Drawing 3442